



M120 / M80

POWERED BY



DISTRIBUTED EXCLUSIVELY BY



**“THIS IS A UNIQUE MADE TO MEASURE PROGRAM
FOR SOLID SURFACE WASH BASINS”**

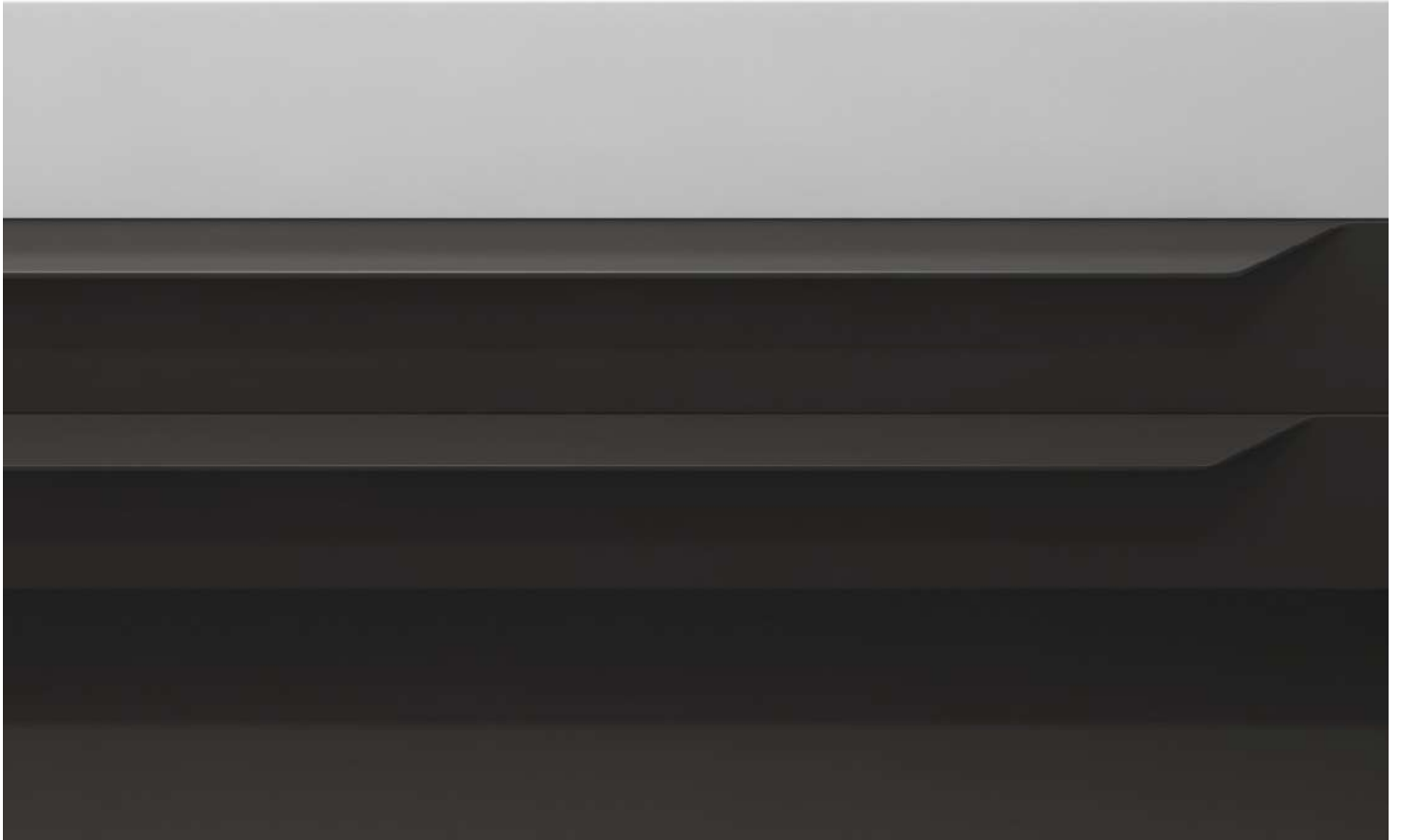
WE HEREBY PRESENT YOU OUR UNIQUE MADE TO MEASURE WASH BASIN PROGRAM. THROUGH THIS PROGRAM YOU CAN EXACTLY ORDER THE SIZE WASH BASIN YOU NEED AND CONFIGURE IT AT YOUR WISHES.

THE PROGRAM HAS THREE BOWL SHAPES TO CHOOSE FROM; SQUARE, ROUND AND OVAL. FROM THERE ON YOU CAN CONFIGURE THE WASH BASIN IN ANY WAY YOU WANT.

WE ARE EXCITED TO SEE WHAT COMBINATIONS YOU MAKE!

THE M2M SOLIDS TEAM

**“A FORMED BOWL IS STRONGER AND HAS NO SEAMS
WHICH OVER TIME MAY BECOME VISIBLE”**



SQUARE BOWL

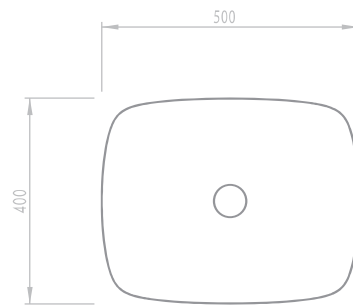
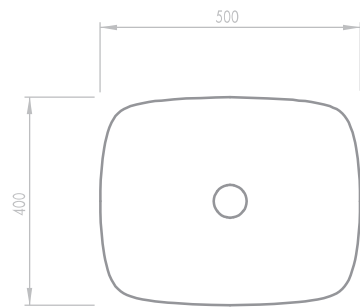


SIZES :

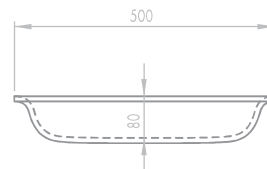
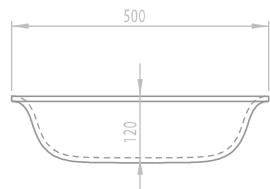
M120

M80

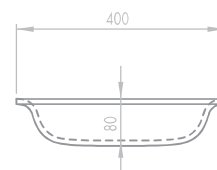
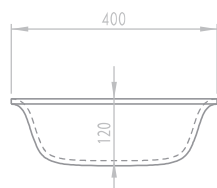
TOP



FRONT



SIDE



CUSTOM BOWLS ON REQUEST

ROUND BOWL

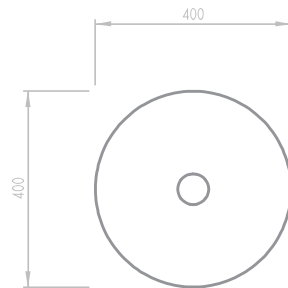
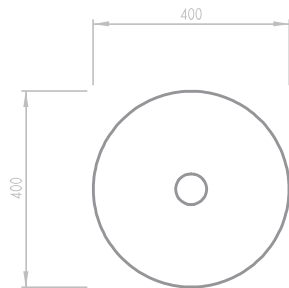


SIZES :

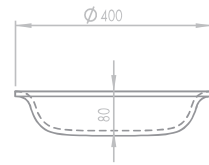
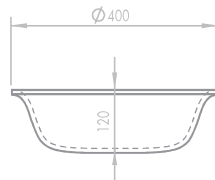
M120

M80

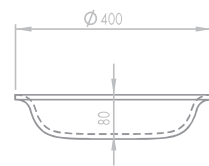
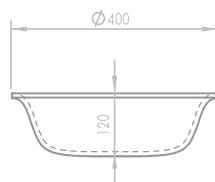
TOP



FRONT



SIDE



CUSTOM BOWLS ON REQUEST

OVAL BOWL

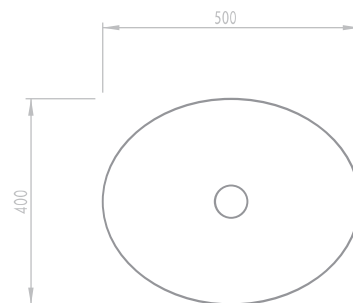
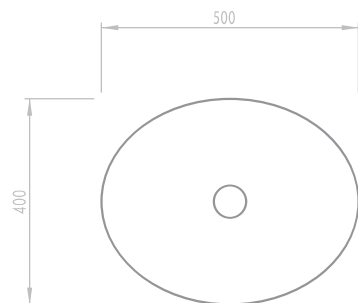


SIZES :

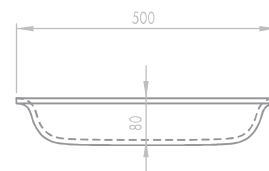
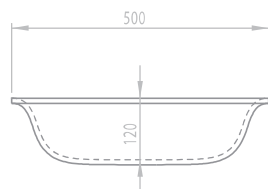
M120

M80

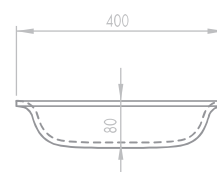
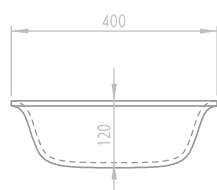
TOP



FRONT



SIDE



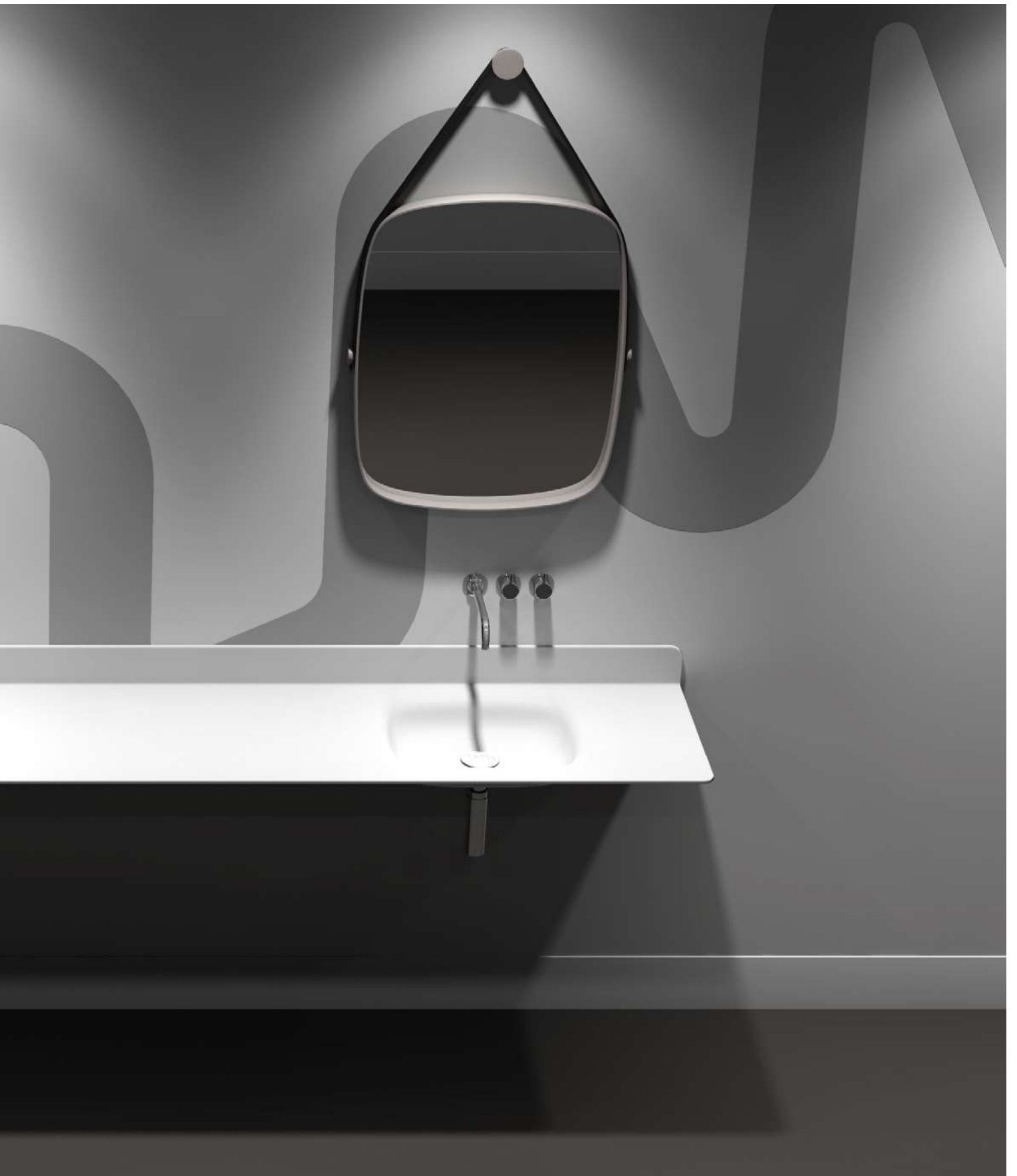
CUSTOM BOWLS ON REQUEST



M2M OVAL

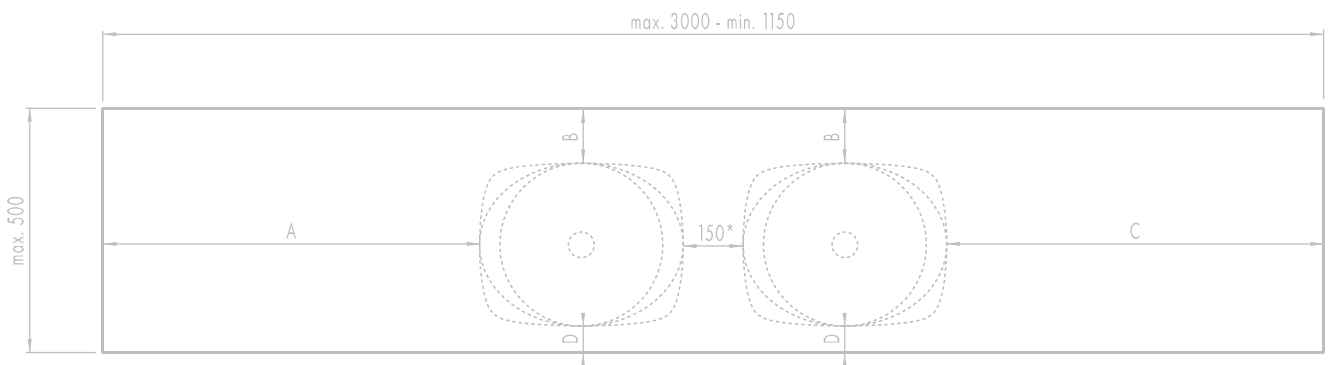
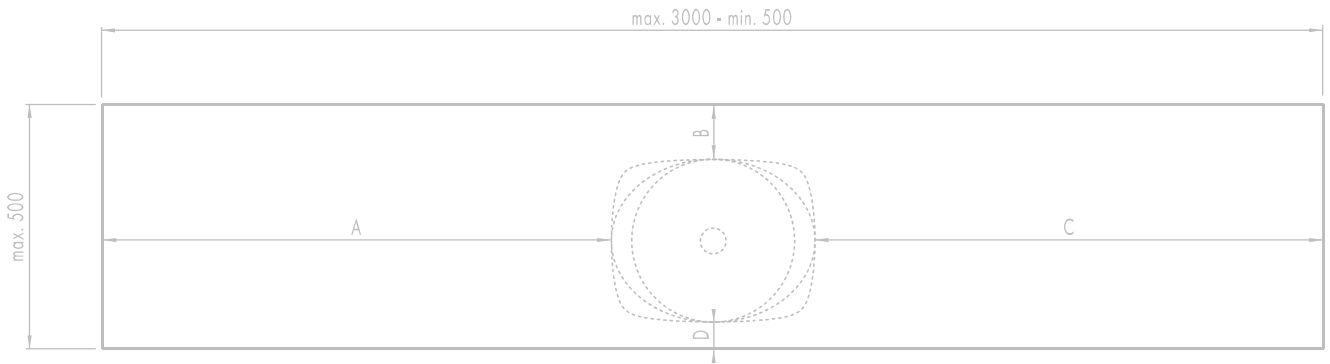
OPTIONS:
CUSTOM CONTOUR
SPLASH SKIRT
SOLID SURFACE WASTE CAP



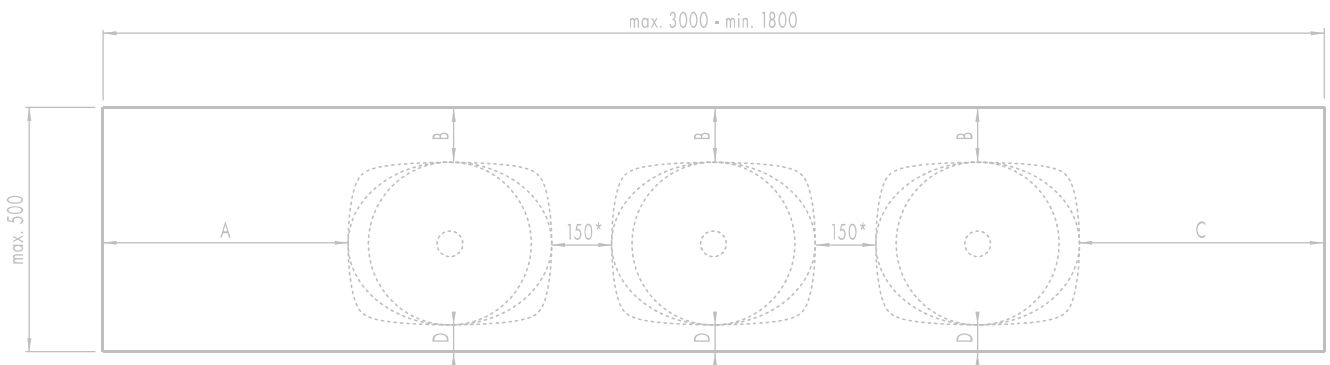


"CREATING A EIGHT BOWL BASIN ONLY TAKES ONE JOINT"

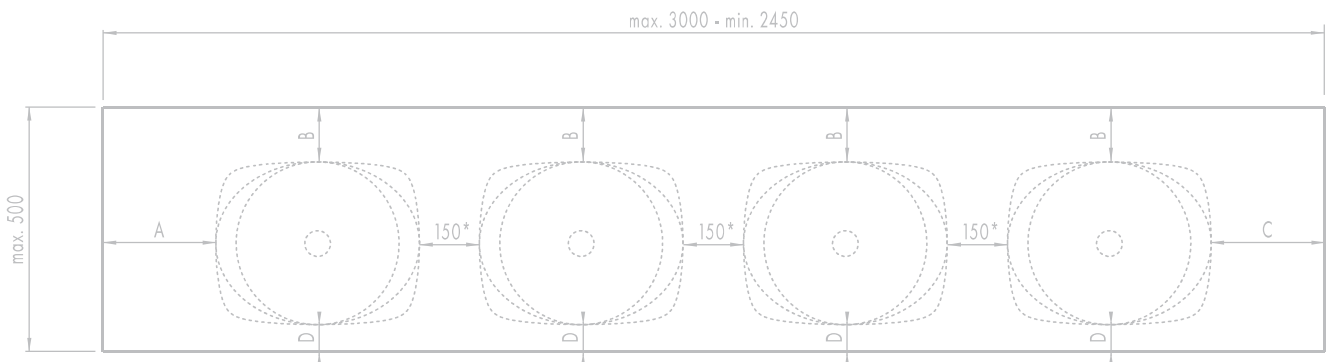
CONFIGURATION OPTIONS



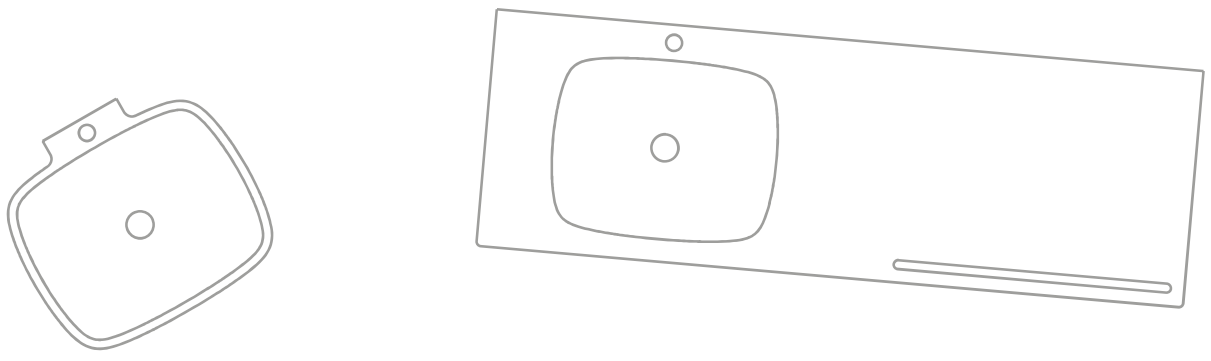
* different size on request



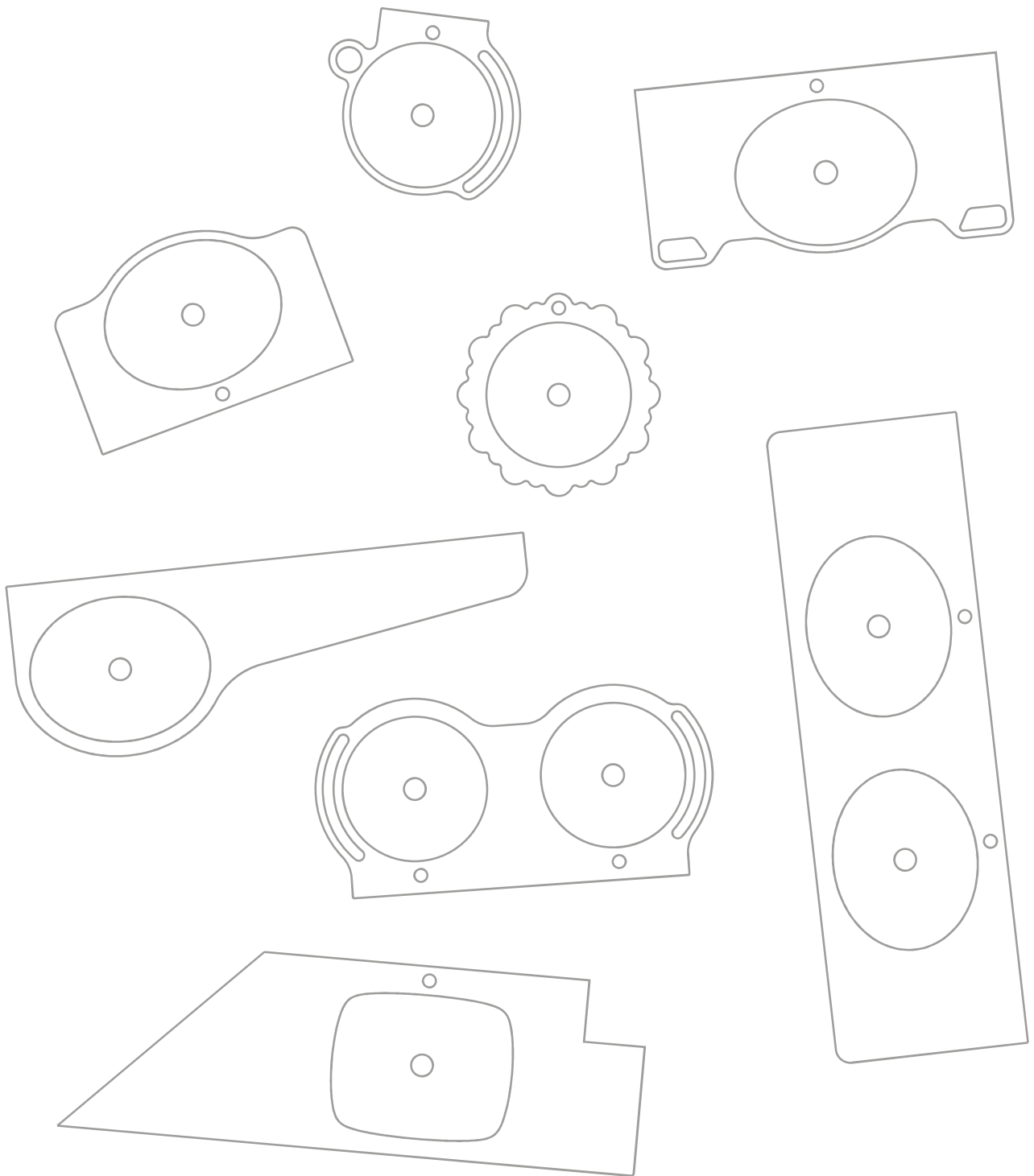
* different size on request



* different size on request



“THE WASH BASIN CAN ACTUALLY HAVE ANY CONTOUR YOU WANT”

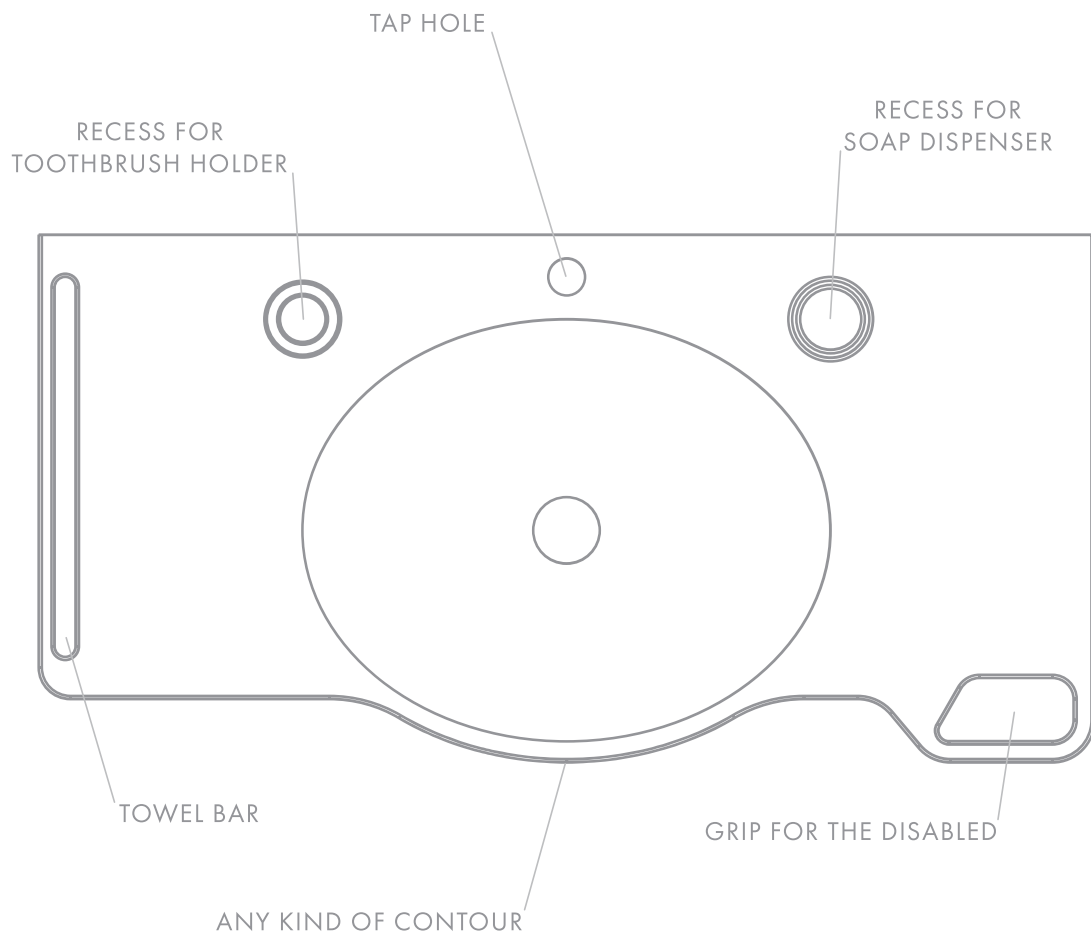




M2M ROUND

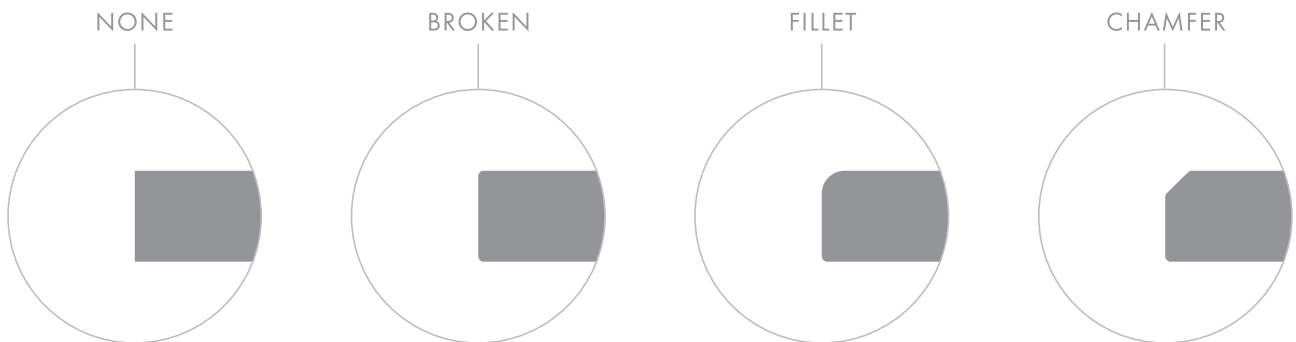
OPTIONS:
CUSTOM CONTOUR WITH TOWEL HOLDER
SOLID SURFACE WASTE CAP

CONTOUR & POCKET OPTIONS



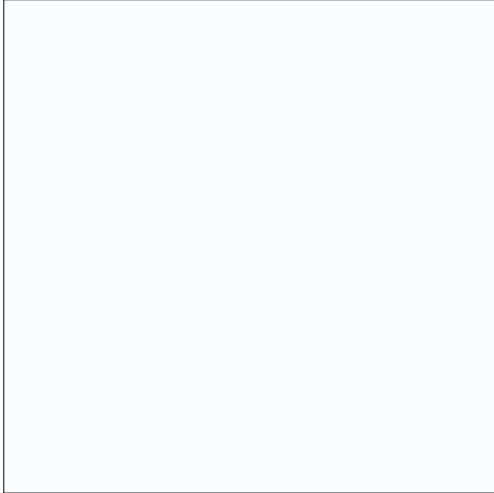
Just some examples, you can choose any contour, recess or pocket shape you want.

EDGE OPTIONS

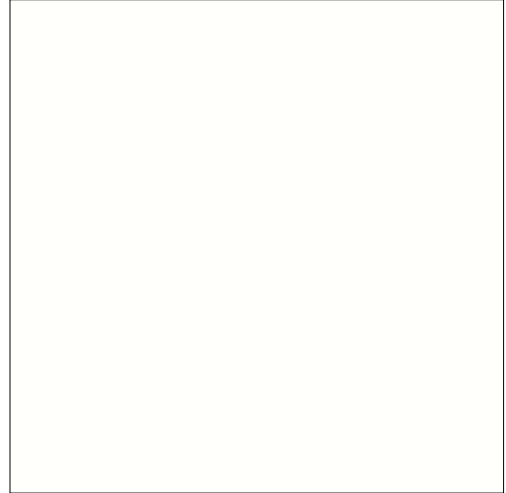


COLORS

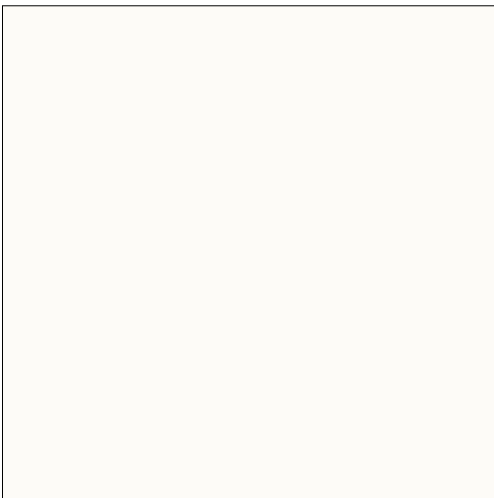
DAVOS WHITE - GC 2008



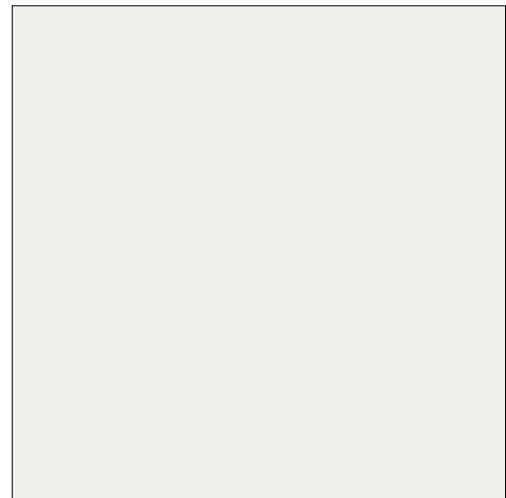
TITAN WHITE - GC2011



CREAM WHITE - GC 2002



PERGAMON- GC 2007



“NO NEED TO LOOK FURTHER, WE GOT IT ALL SORTED OUT FOR YOU”

ACCESSORIES AND ADDONS



HANSGROHE®
Non-closing wash basin waste
Chrome



HANSGROHE®
Non-closing wash basin waste
Chrome with Solid Surface cap
(your) logo is optional



HANSGROHE®
Flowstar S Premium siphon
Chrome



White powder coated steel arm.

